



## PWCA-4002

Waveguide to Coaxial Adapter

WR22 to 2.4mm Female, FUGP400 Circular

### Electrical

<b>Frequency Range</b>	32.9-50.1 GHz	<b>Waveguide Size</b>	WR22/R400
<b>Impedance</b>	50 ohm	<b>Flange Type</b>	FUGP400/UG-383/U, Circular
<b>VSWR</b>	1.25 Max	<b>Coax Connector</b>	2.4mm Female
<b>Average Power</b>	-	<b>Body Geometry</b>	Right Angle

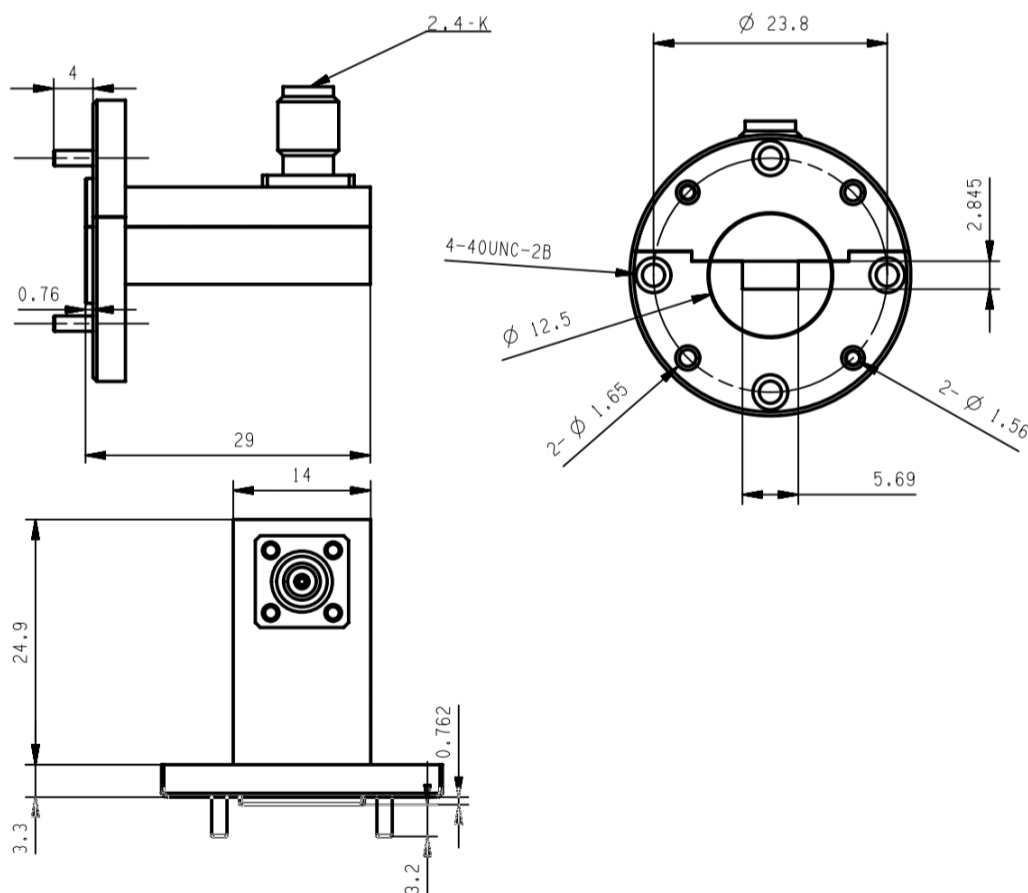
### Configuration

### Materials

<b>Waveguide Body</b>	Copper, gold plated	<b>Operating Temp</b>	-40°C to 70°C
<b>Connector Body</b>	Passivated stainless steel	<b>Connector Interface</b>	IEC-61169
<b>Center Contact</b>	Gold plated beryllium copper	<b>RoHS</b>	Compliant

### Mechanical & Environmental

### Dimensions(mm) Tolerance±1%



## Typical Test Data

